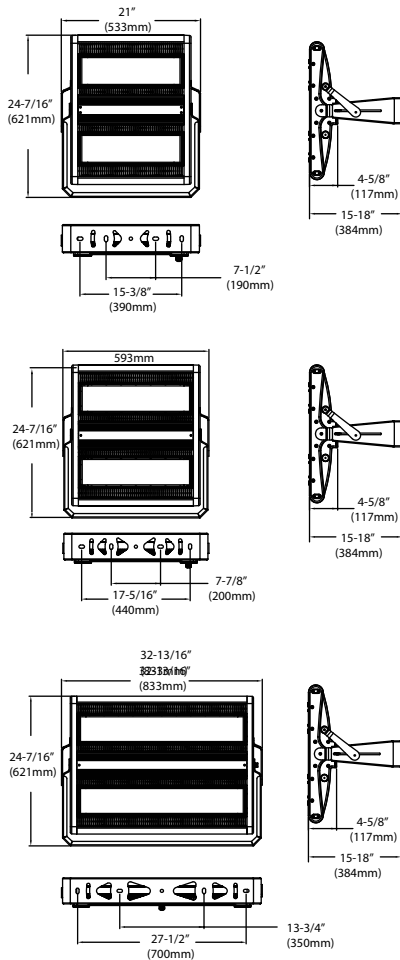


SFL SERIES LED FLOOD



DIMENSIONS



SPECIFICATIONS

EXPECTED LIFE - Minimum 50,000 hours.

LEDs - Select high quality LEDs are utilized, with 4,000 – 5,000K CCT and CRI of ≥ 70 / CRI of 80 (depending).

CONSTRUCTION - Die-cast aluminum housing with integrated proprietary thermal management to insure low LED junction temperature. The low profile design and aesthetics makes it suitable for a wide range of commercial applications. Utilizing anti-aging silicone rubber, the fixture is completely sealed and gasketed, ideal for wet locations, and is IP65 rated. The LED light engine and optic lenses are protected with clear tempered glass lenses that are secured with stainless steel hardware.

OPTICS - Delivers precision light quality via light engine and optical lens combinations, which are designed to distribute light in both the vertical and horizontal angles with a very specific beam pattern. Beam angle options include lenses with either 15° (SP), 30° (MF) or 85x135° (WF).

DIMMING - 0-10V dimming standard.

ELECTRICAL - Universal Voltage (120-277V, 50/60 HZ) and 347-480V input.

OPERATING TEMPERATURE - -40°C through 45°C (-40°F through 113°F)

WARRANTY - Limited 5-year warranty

LISTING - ETL listed to U.S. and Canadian safety standards. Suitable this series that are DLC listed, please consult the LED Lighting section of our website or the Design Lights website at www.designlights.org



TECHNICAL INFORMATION

SFL

Feature	PL1	PL2	PL3	PL4
Input Voltage	90-305V AC, 50/60 Hz			
System Power	390w	440w	550w	640w
Lumens	34,902	46,136	56,517	67,474
Beam Angle	15° (SP), 30° (MF) or 85°x135° (WF)			
CCT	4,000K, 5,000K			
CRI (Δ)	70			
Lifespan	50,000 Hrs			
Operating Temp	-40 °C through 45 °C			
Weight	17.0kg	19.0kg	27.0kg	27.5kg
E.P.A.	2.5	2.8	4.1	4.1

Approved By: _____ Project Name: _____

Location: _____ Date: _____

1919 Windsor Place ■ Fort Worth, TX 76110 ■ 800.633.8711 ■ Fax: 817.735.4824 ■ www.wslighting.com



Consider the Impact!

SFL SERIES LED FLOOD

ORDERING INFORMATION SELECT APPROPRIATE CHOICE FROM EACH COLUMN TO FORMULATE ORDER CODE. Refer to example below.

SERIES	LIGHT		PERFORMANCE		COLOR		INPUT	FINISH	OPTIONS
	DISTRIBUTION	SOURCE	LEVEL		TEMPERATURE	VOLTAGE			
SFL	SP MF WF	LED	PL1 - Performance Level 1 PL2 - Performance Level 2 PL3 - Performance Level 3 PL4 - Performance Level 4		40 - 4000K 50 - 5000K		UE - Universal Voltage (120-277) 347 - 480	BLK - Black CC - Custom Color	BLANK - Heavy Duty Yolk SF - Heavy Duty Slip Fitter OS - Occupancy Sensor PC - Photo Cell NO - No Options

SFL MF LED
(EXAMPLE ORDER)

PL2

40

UE

BLK

ORDER:
WLS-SFL _____

Catalog Number	NEMA Type	Field Angle		Beam Angle		Max CD	Lumens	Watts	LPW
		H°	V°	H°	V°				
SFL-SP-LED-PL1-50	3 H x 3 V	43.5	43.6	19.6	19.6	151,706	35,725	330	108
SFL-SP-LED-PL2-50	3 H x 3 V	43.5	43.6	19.6	19.6	202,275	47,633	440	108
SFL-SP-LED-PL3-50	3 H x 3 V	43.5	43.6	19.6	19.6	222,432	52,380	550	95
SFL-SP-LED-PL4-50	3 H x 3 V	43.5	43.6	19.6	19.6	266,919	62,856	660	95
SFL-MF-LED-PL1-50	4 H x 4 V	62.4	62.7	27.7	27.6	86,019	34,710	336	103
SFL-MF-LED-PL2-50	4 H x 4 V	62.4	62.7	27.7	27.6	114,692	46,281	446	104
SFL-MF-LED-PL3-50	4 H x 4 V	62.4	62.7	27.7	27.6	140,498	56,694	557	102
SFL-MF-LED-PL4-50	4 H x 4 V	62.4	62.7	27.7	27.6	167,738	67,685	669	101
SFL-WF-LED-PL1-50	7 H x 6 V	146.5	100.1	125.7	74.8	20,787	31,820	330	96
SFL-WF-LED-PL2-50	7 H x 6 V	146.5	100.1	125.7	74.8	27,715	42,427	440	96
SFL-WF-LED-PL3-50	7 H x 6 V	146.5	100.1	125.7	74.8	34,644	53,401	550	97
SFL-WF-LED-PL4-50	7 H x 6 V	146.5	100.1	125.7	74.8	41,573	63,640	660	96

LED Chips are frequently updated therefore values may increase.

NEMA Type	Field Angle Degree Range
0	<10
1	10 - 18
2	18 - 29
3	29-48
4	46 - 70
5	70 - 100
6	100 - 130
7	130 - up

Approved By: _____ Project Name: _____

Location: _____ Date: _____

1919 Windsor Place ■ Fort Worth, TX 76110 ■ 800.633.8711 ■ Fax: 817.735.4824 ■ www.wslighting.com

WLS LIGHTING SYSTEMS

Consider the Impact!