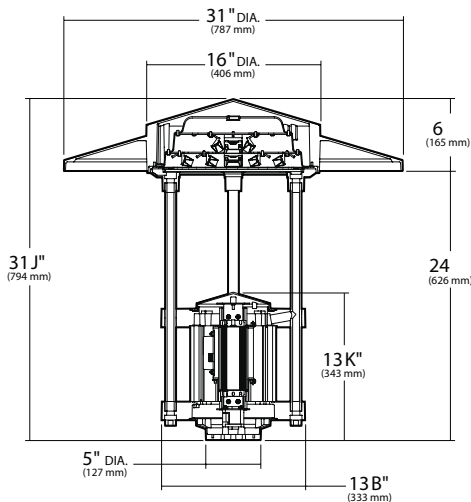


BNC-L SERIES

DECORATIVE LED



DIMENSIONS

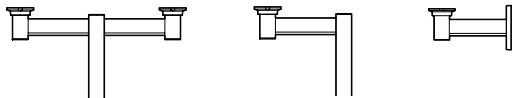


MOUNTING

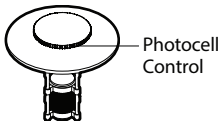
2" Pipe-size Tenon
(2C "O.D. x 4 K" min.
length)

4"O.D. Poles only

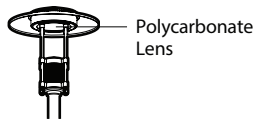
Wall Mount



OPTIONS



Photocell Control



Polycarbonate Lens

SPECIFICATIONS

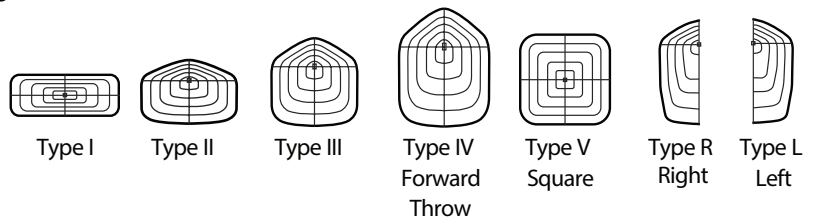
HOUSING - Die-cast, low copper (<0.6% Cu) aluminum alloy hood and lens frame with stainless steel hinge. The hood is opened with a tool-less latch made of die-cast aluminum and stainless steel brackets. The hood is held open for relamping with a stainless steel wire self-locking stop arm

LED's - Precision, replaceable PicoEmitters are positioned to achieve directional control toward desired task. The entire EmitterDeck mounting assembly fastens to housing as a one-piece module. Available in 3k, 4k, 5k, and 2k (580 nm-Amber).

DRIVER - Driver is rated for -40°F starting temperature and has a 0-10V dimming interface on the LifeShield device for multi-level illumination options.

OPTICS - A 3/16" thick clear flat lens seals against the reflector flange by a one-piece molded silicone gasket, to produce a fully sealed optical chamber.

Light Distribution:



FINISH - Each luminaire receives a fade and abrasion resistant, electrostatically applied, thermally cured, triglycidal isocyanurate (TGIC) polyester powdercoat finish. Standard colors include (BL) Black, (DB) Dark Bronze, (WH) White, (PS) Platinum Silver, (SG) Stealth Gray, (LG) Light Gray, and (CC) Custom Color (Include RAL#). The underside of the hood is always painted white.

MOUNTING - Mounted by one of the following pole attachment means:

FM- Flush Mounting by means of an expansion device activated by a single bolt within the driver compartment. Pole must have a plain-cut top. Standard pole size is 4" O.D. (Other pole adapter sizes available; contact WLS representative).

PT- Pole Tenon mounting by means of a cast aluminum adapter containing four recessed 3/8" stainless steel allen head set screws. Pole must have a 2" pipe-sized tenon (2 3/8" O.D. X 4 1/2" minimum length). Pole tenon must be field drilled at one set screw location to secure against fixture rotation.

ELECTRICAL - All electrical components are UL and CSA recognized, mounted on a single plate and factory prewired with quick-disconnect plugs. Module includes a driver, LifeShield temperature control device and surge protector. Electrical module attaches to housing with key hole slots, accessible by opening the lens frame and removing optical module.

Wireless system for 0-10VDC full range dimming control.

Fixture must be grounded in accordance with national, state, and/or local codes. Failure to do so may result in serious injury.

UL 1598 Standard for Luminaires - UL 8750 Standard for Safety for Light Emitting Diode (LED) Equipment for use in Lighting Products and CSA C22.2#250.0 Luminaires.

Approved By: _____ Project Name: _____

Location: _____ Date: _____

WLS LIGHTING SYSTEMS

1919 Windsor Place ■ Fort Worth, TX 76110 ■ 800.633.8711 ■ Fax: 817.735.4824 ■ www.wslighting.com

Consider the Impact!

BNC-L SERIES

DECORATIVE LED

ORDERING INFORMATION SELECT APPROPRIATE CHOICE FROM EACH COLUMN TO FORMULATE ORDER CODE. Refer to example below.

SERIES	DIST.	MOUNTING	LIGHT SOURCE	CURRENT	LINE VOLTAGE	COLOR TEMP.	LUMINAIRE FINISH	OPTIONS / ACCESSORIES	POLE
BNC-L	1 - Type I 2 - Type II 3 - Type III 4 - Type IV 5 - Type V L - Type L, Left R - Type R, Right	FM - Flush Mount, 4" O.D. Poles only PT - Pole Tenon Mount, 2" Pipe-size Tenon TWN - Twin Mount, 4" or 5" O.D. Poles only 1W - Single Wall Mount	60L - 60 LEDs, 66 Watts	E35 - 350mA, PicoEmitter	120 - 120V 208 - 208V 240 - 240V 277 - 277V 347 - 347V ¹ 480 - 480V ¹	2K - 580nm 3K - 3000K 4K - 4200K 5K - 5100K	DB - Dark Bronze BK - Black PS - Platinum Silver WT - White LG - Light Gray SG - Stealth Gray CC - Custom Color Consult Factory	CGL - Convex Glass Lens FPL - Flat Polycarbonate Lens ² NFO - Neighbor Friendly Optic BBC - Black Ballast Cover ³ Photocell P12 - 120 Volt Photocell P20 - 208 Volt Photocell P24 - 240 Volt Photocell P27 - 277 Volt Photocell P34 - 347 Volt Photocell P48 - 480 Volt Photocell Occupancy Sensor SOS-R - Up to 16' high, Round ⁴ SOS-S - Up to 16' high, Square ⁴ LOS-R - Up to 30' high, Round ⁴ LOS-S - Up to 30' high, Square ⁴ SF - Single Fuse, 120V, 277V, 347 V DF - Double Fuse, 208V, 240V, 480 V NA - No Accessories	See Arms & Pole Selection

BNC-L 5 PT 60L E35 277 4K BK CGL / P27
(EXAMPLE ORDER)

ORDER:
WLS BNC-L

FOOTNOTES:

- 1 - Due to current unavailability of 347V and 480V drivers, specification of these voltages may feature an integral step-down transformer.
- 2 - CAUTION: Use only when vandalism is anticipated to be high. Useful life of lens is limited by UV discoloration from sunlight.
- 3 - For full-cutoff distributions. Use with Black or Dark Bronze fixtures only.
- 4 - Specify pole diameter if round, voltage and color.
- 5 - Driver has a 0-10V dimming interface with dimming range of 10-100%. Compatible with most control systems.

Spectroradiometric

	3000K Average	4200K Average	5100K Average
Correlated Color Temp. CCT (K)	2800K-3175K	3800K-4600K	4600K-5600K
Color Rendering Index (CRI)	≤80	≤80	≤70
Power Factor	>.90	>.90	>.90

Absolute Lumens

Temperature	TYPE 1	TYPE 2	TYPE 3	TYPE 3 NFO	TYPE 4	TYPE 4 NFO	TYPE 5	TYPE L/R
3000K	3313	3425	3258	N/A	3373	2941	3493	TBD
4200K	4344	4491	4272	N/A	4423	3857	4581	TBD
5100K	4601	4757	4525	N/A	4685	4085	4852	TBD

Projected Lumen Maintenance*

mA	100,000 hrs (Calculated L70)
350	93.71% 641,000 hrs.

Approved By: _____ Project Name: _____

Location: _____ Date: _____

WLS LIGHTING SYSTEMS

1919 Windsor Place ■ Fort Worth, TX 76110 ■ 800.633.8711 ■ Fax: 817.735.4824 ■ www.wslighting.com

Consider the Impact!