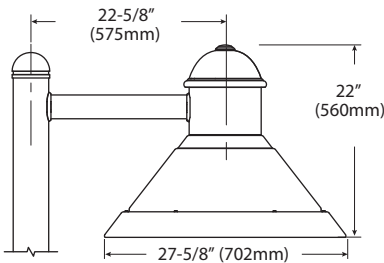


WLS LIGHTING SYSTEMS

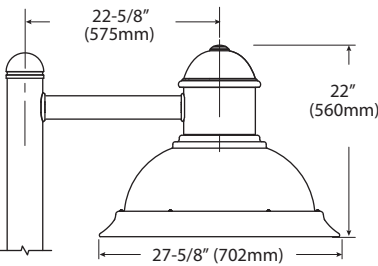
LSLM SERIES LED FLAT GLASS LENS



DIMENSIONS



ANGLE SHADE



BELL SHADE

LIGHT OUTPUT -LSL-L		Lumens (Nominal)			Watts (Nominal)
		Type 3	Type FT	Type 5	
Cool White	SS	13470	14080	13310	136
	HO	18730	19920	18480	205
Neutral White	SS	11180	11780	11130	136
	HO	18070	19370	18080	205
Warm White	SS	11440	11980	11040	136
	HO	15380	16350	15130	205

LED Chips are frequently updated therefore values may increase.



SPECIFICATIONS

CROWN- Cast aluminum. Wiring emerges from crown through compression seal fitting to prevent water entry. One-piece silicone gasket seals crown to shade for water-and dust-tight construction.

SHADES - Spun aluminum. Two shade styles available - A - Angle and - B - Bell.

OPTICAL UNIT - Optical unit and aluminum door frame recessed into shade and sealed with one-piece silicone gasket. Clear tempered flat glass lens sealed with silicone gasket to door frame (includes pressure-stabilizing breather). Optical unit is tethered and provides access to driver. Door frame retaining fasteners are captive.

MOUNTING - Classic Hook (CH), Side Arm (SA - 4" O.D. minimum pole top required), Wall Mount (W - for use with CH or SA style), Universal Pole Clamp (UCL) available. Side Arm pole mount requires 3" reduced drilling pattern. Classic Hook mount requires a 4" O.D. pole or tenon.

BRACKETS - Brackets are extruded and cast aluminum assemblies or fabrications. All decorative elements are die cast or extruded aluminum.

LEDS - Select high-brightness LEDs in Cool White (5000K) or Neutral White (4000K) or Warm White (3500K) color temperature, 70 CRI CW, 80 CRI NW and WW.

OPERATING TEMPERATURE - -40°C to +50°C (-40°F to +122°F).

FINISH - Each fixture is finished with WLS's DuraGrip polyester powder coat process. The DuraGrip finish withstands extreme weather changes without cracking or peeling.

DISTRIBUTION PATTERNS - Types 3, FP and 5. Exceptional uniformity creates bright environment at lower light levels. Improved backlight cutoff minimizes light trespass.

ELECTRICAL - Two-stage surge protection (including separate surge protection built into electronic driver) meets IEEE C62.41.2-2002, Location Category C. Available with universal voltage power supply 120-277VAC (UE - 50/60Hz input), and 347-480 VAC. Optional button-type photocells (PCI) are available in 120, 208, 240, 277 or 347 volt (supply voltage must be specified).

DRIVERS - Available in SS (Super Saver) and HO (High Output) drive currents (Drive currents are factory programmed). Components are fully encased in potting material for moisture resistance. Driver complies with FCC standards. Driver and key electronic components can easily be accessed.

ENERGY SAVING CONTROL OPTIONS - DIM - 0-10 volt dimming enabled with controls by others. BLS - BI-level switching responds to external line voltage signal from separate 120-277V controller or sensor (by others), with low light level decreased to 30% maximum drive current.

WARRANTY - WLS LED fixtures carry a limited 5-year warranty.

LISTINGS - UL listed to U.S. and Canadian safety standards. Suitable for wet locations.

Approved By: _____ Project Name: _____

Location: _____ Date: _____

P.O. Box 100519 | Fort Worth, TX 76185 | 800.633.8711 | Fax: 817.735.4824 | www.wslighting.com

WLS LIGHTING SYSTEMS

Consider the Impact!

LSLM SERIES

LED FLAT GLASS LENS

ORDERING INFORMATION SELECT APPROPRIATE CHOICE FROM EACH COLUMN TO FORMULATE ORDER CODE. Refer to example below.

SERIES	LIGHT		COLOR		VOLTAGE	FINISH	MOUNTING		ACCESSORIES
	DISTRIBUTION	SOURCE	DRIVER	TEMP			STYLE ^{1,2}	CONFIGURATION ^{1,2}	
LSLM-A ¹ Angled Shade	3 - Type III 5 - Type V FT - Forward Throw	LED	HO - High Output SS - Super Saver	CW - Cool White NW - Natural White WW - Warm White	UE - Universal Electronic (120-277) UW - 347-480	BRZ - Bronze BLK - Black PLT - Platinum Plus GPT - Graphite WHT - White SVG - Satin Verde (Green) MSV - Metallic Silver CC - Custom Color	CH - Classic Hook SA4 - Side Arm Mount 4" Round Pole ³ SA5 - Side Arm Mount 5" Round Pole ³ UCL4 - Universal Mount 4" UCL5 - Universal Pole Clamp 5"	S - Single D180 - Double 180° D90 - Double 90° ⁴ T90 - Triple 90° ⁴ TN120 - Triple 120° ⁴ Q90 - Quad ⁴ W - Wall Mount (For use with Side Arm Mounting Style)	PC - Photocell (Specify Voltage) FK - Single Fusing (Specify Voltage) ⁶ DFK - Double Fusing (Specify Voltage) ⁶ DIM - 0-10 Volt Dimming (from external signal) ⁵ BLS - Bi-level Switching (from external 120-277V signal) ⁵ NA - No Accessories

LSLM-A 5 LED HO CW UE BRZ CH S NA

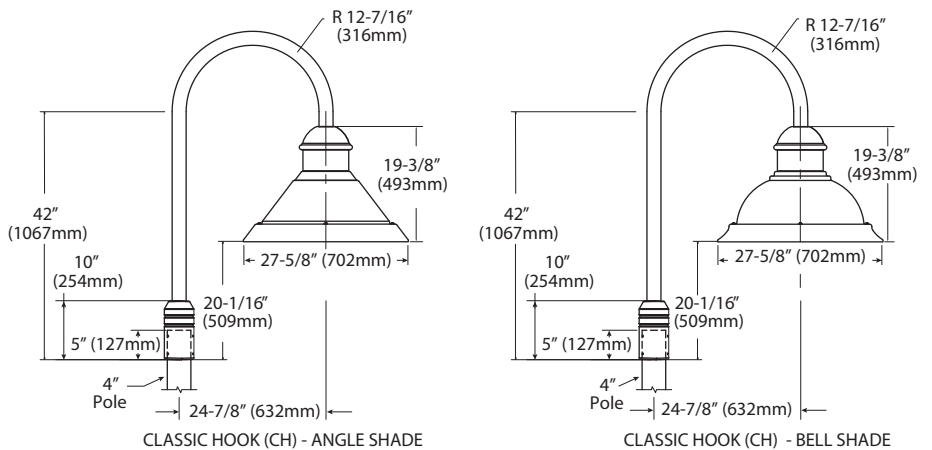
(EXAMPLE ORDER)

ORDER:

WLS-LSLM-

FOOTNOTES:

- When ordering a multiple configuration (D180, etc.) order one fixture/bracket configuration per pole - i.e. order one LSLM-B-3-LED-SS-CW-UE-BLK-CHD180-PCI to receive two fixtures and one CHD180 bracket (see drawing on this page). See STEEL ROUND POLES and ALUMINUM ROUND POLES data sheets for pole ordering information.
- See LSLM Bracket ordering chart for Mounting Style/Configurations availability.
- 3" reduced drilling pattern required.
- For use with SA4 and SA5 mounting styles only.
- DIM and BLS cannot be ordered together.
- Fusing must be located in the hand hole of pole.

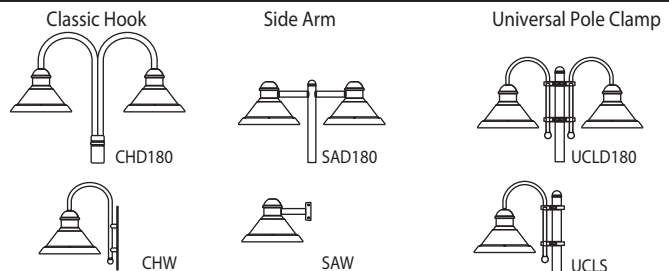


CLASSIC HOOK (CH) - ANGLE SHADE

CLASSIC HOOK (CH) - BELL SHADE

Single	1.8
D180°	3.1
D90°	2.7
T90°	4.0
TN120°	4.0
Q90°	4.9

Note: Includes Bracket



Approved By: _____ Project Name: _____

Location: _____ Date: _____

WLS LIGHTING SYSTEMS

Consider the Impact!