

## DAC SERIES TAPERED

### SPECIFICATIONS

#### CONSTRUCTION

Durable corrosion resistant cast aluminum base with hand hole and cover. The pole is made of heavy-wall uted, tapered cast aluminum.

### ORDERING INFORMATION

SELECT APPROPRIATE CHOICE FROM EACH COLUMN TO FORMULATE ORDER CODE.

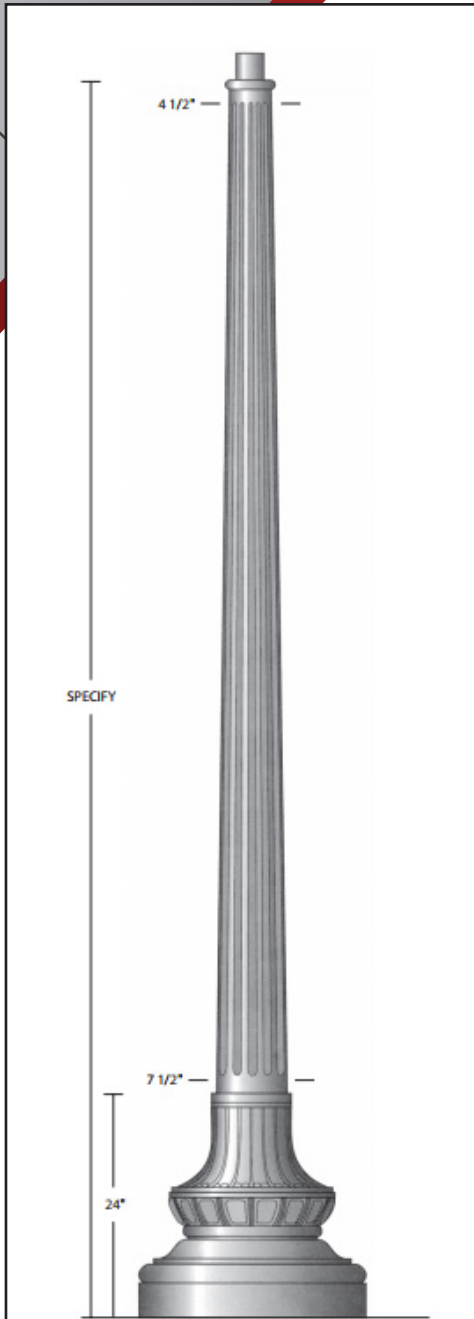
Refer to example below.

SERIES	POLE HEIGHT	FINISH
DAC-Tapered	8 8'	<b>BRZ</b> Bronze
	9 9'	<b>BLK</b> Black
	10 10'	<b>PLT</b> Platinum
	11 11'	<b>BUF</b> Buff
		<b>WHT</b> White
		<b>GRN</b> Green
		<b>CC</b> Custom Color

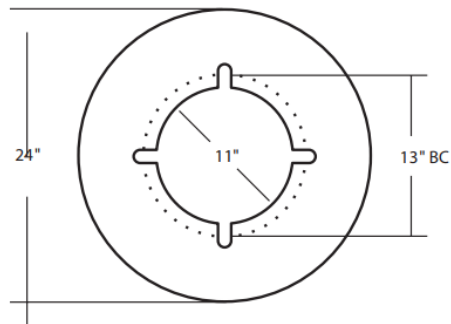
#### ORDER:

WLS-DAB-Tapered		
-----------------	--	--

Example: WLS-DAC-Tapered-9-PLT



DAC-Tapered



Bolt circle pattern subject to change. Please consult factory for specific anchor bolt template.



Made in the U.S.A. of the U.S. and imported parts. Meets Buy American requirements for ARRA.

Project Name: \_\_\_\_\_

Date: \_\_\_\_\_

Location: \_\_\_\_\_

Notes: \_\_\_\_\_