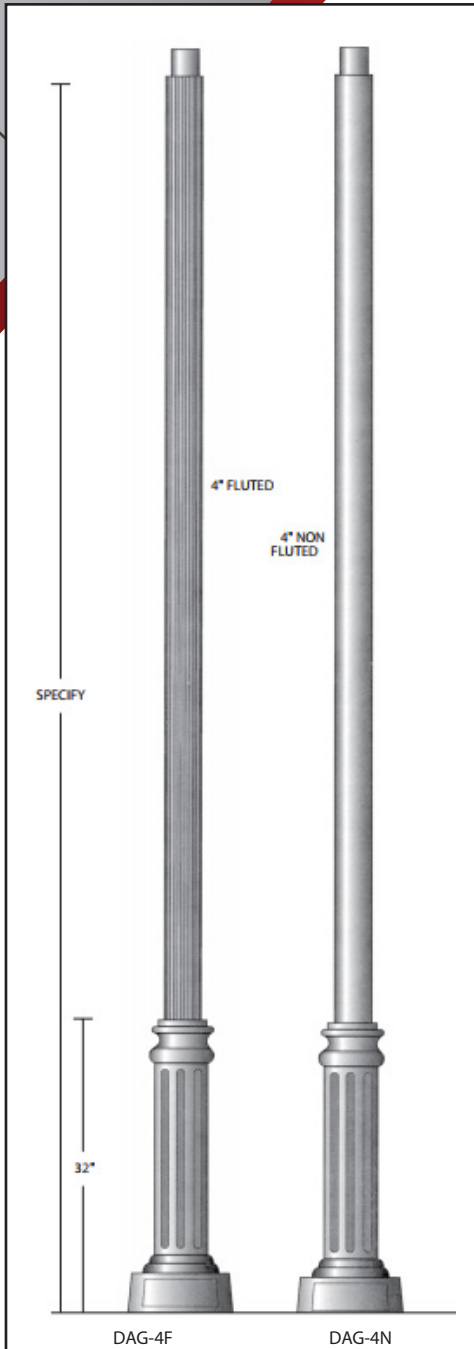


DAG SERIES

SPECIFICATIONS

CONSTRUCTION

Durable corrosion resistant cast aluminum base with hand hole and cover. The pole measures 4" diameter X 1/8" wall thickness, extruded 6063-T6 aluminum alloy.



ORDERING INFORMATION

SELECT APPROPRIATE CHOICE FROM EACH COLUMN TO FORMULATE ORDER CODE.

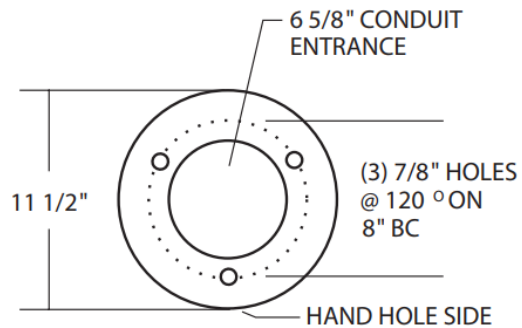
Refer to example below.

SERIES	POLE HEIGHT	FINISH
DAG-4F	8 8'	BRZ Bronze
DAG-4N	10 10'	BLK Black
	12 12'	PLT Platinum
	14 14'	BUF Buff
	16 16'	WHT White
	18 18'	GRN Green
	20 20'	CC Custom Color

ORDER:

WLS-DAG-4

Example: WLS-DAG-4F-9-PLT



Bolt circle pattern subject to change. Please consult factory for specific anchor bolt template.



Made in the U.S.A. of the U.S. and imported parts. Meets Buy American requirements for ARRA.

Project Name: _____

Date: _____

Location: _____

Notes: _____