

MCL SERIES LED CANOPY

SPECIFICATIONS

HOUSING

Die Cast Aluminum Housing, 1/2" Coin Plugs with O-rings for Conduit & Photocell on Two Sides & Back, Nickel-Plated Stainless Steel Hardware.

LISTING & RATINGS

CSA: Listed for Wet Locations, ANSI/UL 1598, 8750.
(Damp Locations When Used with VNQM.) IP55 Sealed LED Compartment.

FINISH

Textured Architectural Powdercoat Finish Over a Chromate Conversion Coating. Custom Colors Available Upon Request.

LENS

Standard Clear Polycarbonate Prismatic Lens

MOUNTING OPTIONS

Mount Directly Over a 4" Recessed Outlet Box, or Use 1/2" Surface Conduit or QuickMount Bracket.

EASYLED LED

Aluminum Boards

WATTAGE

Array: 45.4w, System: 52.6w
(175w HID Equivalent)

DRIVER

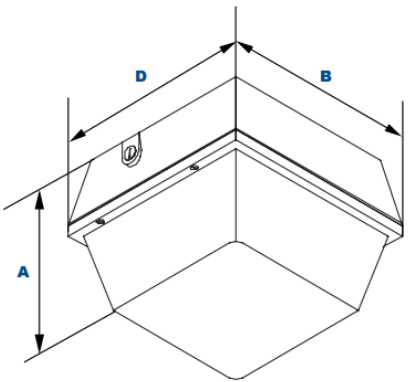
Electronic Driver, 120-277V, 50/60Hz or
347/480V, 50/60Hz; Dimmable Driver

WARRANTY

5-Year Warranty for -40°C to +40°C Environment.



DIMENSIONS



A	B	D
8 1/8" (219mm)	12 3/8" (314mm)	12 3/8" (314mm)



Made in the U.S.A. of the U.S. and imported parts.
Meets Buy American requirements for ARRA.

Project Name: _____

Date: _____

Location: _____

Notes: _____

MCL SERIES LED CANOPY

ORDERING INFORMATION SELECT APPROPRIATE CHOICE FROM EACH COLUMN TO FORMULATE ORDER CODE.

Refer to example below.

SERIES	OPTICS	WATTAGE	DRIVER	COLOR TEMPERATURE	LENS	COLOR	OPTIONS
MCL	F Type V	1X45 45w	U 120-277V H 347/480V	4K 4000K 5K 5000K	S Standard Clear Polycarbonate Prismatic Lens	Z Bronze W White C ¹ Custom	SF Single Fuse DF Double Fuse SP Surge Protection PC1 Photocell, 120VAC PC2 Photocell, 250-305VAC QM Quick Mount/Pendant Mount BU Battery Backup, 90 Minutes

ORDER:

WLS-MCL	F	1X45			S		
----------------	----------	-------------	--	--	----------	--	--

Example: WLS-MCL-F-1X45-U-4K-S-Z-SF

FOOTNOTES:

¹ Consult your WLS sales person.



1919 Windsor Place
Fort Worth, TX 76110
800.622.8711

www.wslighting.com

Project Name: _____

Date: _____

Location: _____

Notes: _____

09 REV. 12/17

Specifications subject to change without notice.