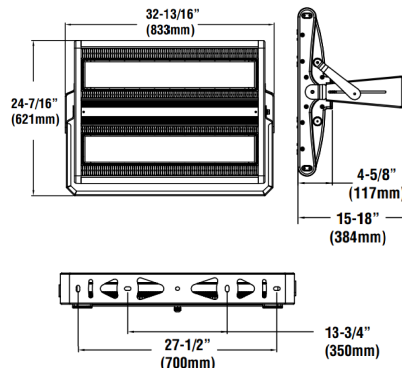
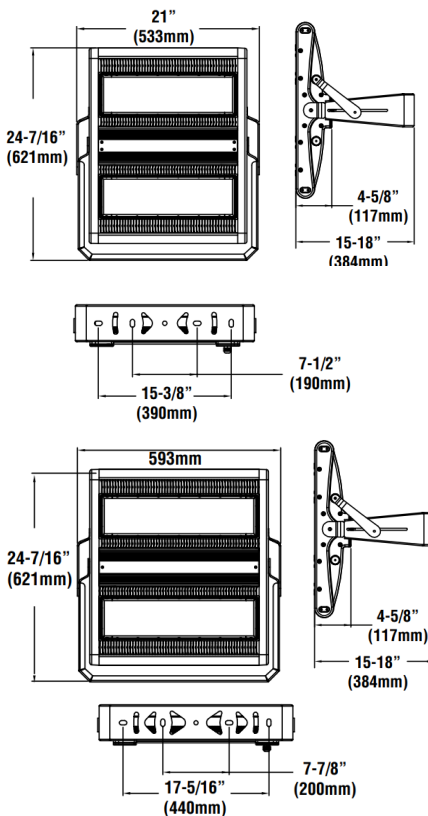


## SFL SERIES LED FLOOD



### DIMENSIONS



### SPECIFICATIONS

#### CONSTRUCTION

Die-cast aluminum housing with integrated proprietary thermal management to insure low LED junction temperature. The low profile design and aesthetics makes it suitable for a wide range of commercial applications. Utilizing anti-aging silicone rubber, the fixture is completely sealed and gasketed, ideal for wet locations, and is IP65 rated. The LED light engine and optic lenses are protected with clear tempered glass lenses that are secured with stainless steel hardware.

#### LEDs

Select high quality LEDs are utilized, with 4,000 – 5,000K CCT and CRI of  $\geq 70$  / CRI of 80 (depending)

#### ELECTRICAL

Universal Voltage (120-277V, 50/60 HZ) and 347-480V input.

#### DIMMING

0-10V dimming standard

#### OPERATING TEMPERATURE

-40°C through 45°C (-40°F through 113°F)

#### OPTICS

Delivers precision light quality via light engine and optical lens combinations, which are designed to distribute light in both the vertical and horizontal angles with a very specific beam pattern. Beam angle options include lenses with either 15° (SP), 30° (MF) or 85x135° (WF).

#### PHOTOMETRICS

Please visit our web site at [www.lsi-industries.com](http://www.lsi-industries.com) for detailed photometric data

#### EXPECTED LIFE

Minimum 50,000 hours

#### WARRANTY

Limited 5-year warranty

#### LISTING

ETL listed to U.S. and Canadian safety standards. Suitable for wet locations (IP65). For a list of the specific products in this series that are DLC listed, please consult the LED Lighting section of our website or the Design Lights website at [www.designlights.org](http://www.designlights.org)



Made in the U.S.A. of the U.S. and imported parts.  
Meets Buy American requirements for ARRA.

Project Name: \_\_\_\_\_

Date: \_\_\_\_\_

Location: \_\_\_\_\_

Notes: \_\_\_\_\_

# SFL SERIES LED FLOOD

## ORDERING INFORMATION SELECT APPROPRIATE CHOICE FROM EACH COLUMN TO FORMULATE ORDER CODE.

Refer to example below.

SERIES	DISTRIBUTION	LIGHT SOURCE	PERFORMANCE LEVEL	COLOR TEMPERATURE	INPUT VOLTAGE	FINISH <sup>1</sup>	OPTIONS
<b>SFL</b>	<b>SP</b> <b>MF</b> <b>WF</b>	<b>LED</b>	<b>PL1</b> Performance Level 1 <b>PL2</b> Performance Level 2 <b>PL3</b> Performance Level 3 <b>PL4</b> Performance Level 4	<b>40</b> 4000K <b>50</b> 5000K	<b>UE</b> Universal Voltage (120-277V) <b>347-480</b> 347-480V	<b>BLK</b> Black	<b>Blank</b> Heavy Duty Yoke <b>SF</b> Heavy Duty Slip Fitter <b>OS</b> Occupancy Sensor <b>PCR</b> Photo Cell Receptacle
<b>ORDER:</b>							
<b>WLS-SFL</b>		<b>LED</b>				<b>BLK</b>	

Example: WLS-SFL-MF-LED-PL3-40-UE-BLK

### FOOTNOTES:

<sup>1</sup> Other finishes available. Consult your WLS representative.



1919 Windsor Place  
Fort Worth, TX 76110  
800.622.8711

www.wslighting.com

Project Name: \_\_\_\_\_

Date: \_\_\_\_\_

Location: \_\_\_\_\_

Notes: \_\_\_\_\_

01 REV. 12/17

Specifications subject to change without notice.